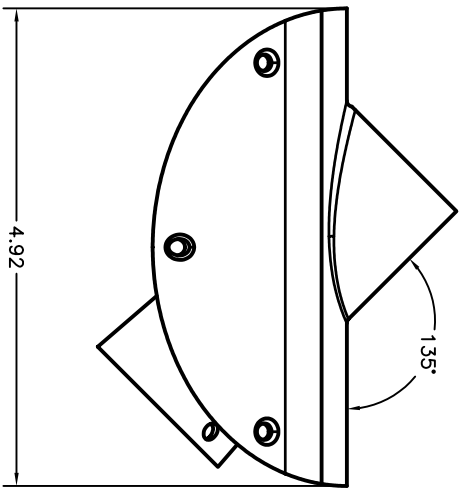
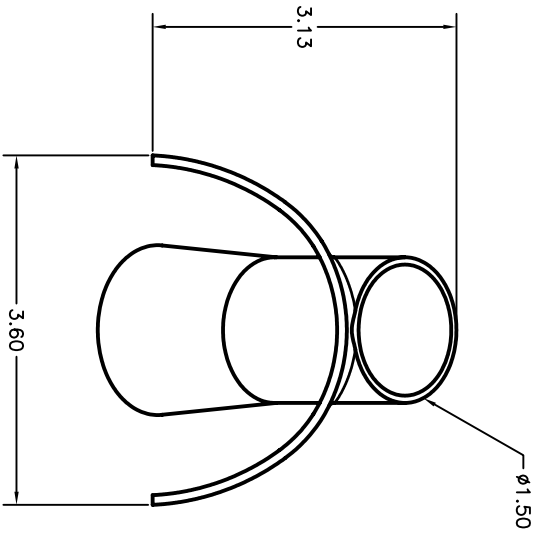
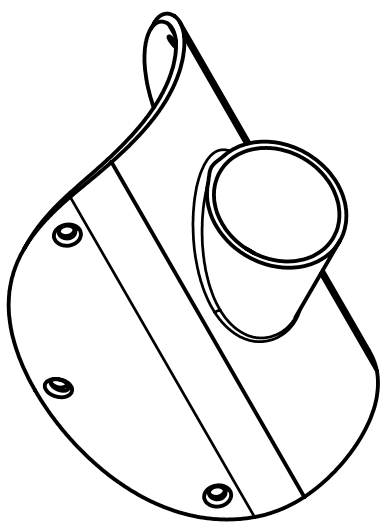


8 7 6 5 4 3 2 1

REVISIONS		DATE	APPROVED
ZONE	REV	DATE	APPROVED
-	INITIAL RELEASE	09/27/08	J. BRUNNER



UNLESS OTHERWISE SPECIFIED
TOLERANCES ARE IN INCHES (MM).
 FRACTIONS DECIMALS ANGLES
 ± 0.015 ± 0.02 ± 0.10 ± 1/2°
 X/72 ± 0.00 ± 0.02 ± 0.05

CONTRACT NO.

APPROVALS

DESIGNED	J. BRUNNER	DATE	09/27/08
CHECKED	J. BRUNNER	DATE	09/27/08
DRAWN	J. BRUNNER	DATE	09/27/08
DESIGN ACTIVITY	J. BRUNNER	DATE	09/27/08

TITLE
 Aerial View Systems
 NEWPORT BRANCH, CA 92658 (714) 980-2470

AVS HD850 TAIL CAM

SIZE CASE CODE
 D

SCALE NONE

DWG. NO. DWG-HD850-AVT

REV -

DATE 09/27/08

SHEET 1 OF 1

THE INFORMATION CONTAINED IN THIS DRAWING IS THE SOLE PROPERTY OF AERIAL VIEW SYSTEMS, INC. ANY REPRODUCTION IN PART OR WHOLE WITHOUT THE WRITTEN PERMISSION OF AERIAL VIEW SYSTEMS, INC. IS PROHIBITED.

8 7 6 5 4 3 2 1